

General Contractors

**M.A. & M., Inc.**  
dba **ARESCO**  
**CONSTRUCTION**  
**COMPANY**

175 North Main Street  
Middletown, CT 06457  
Phone (860) 346-6621  
Fax (860) 344-8236

## RCO - Request for Change

---

Middletown Senior/Community Center

December 4, 2014

---

**RCO # 039**

Silver /Petrucci & Associates

3190 Whitney Highway  
Hamden, CT 06518  
Attn: Mr. Steven June

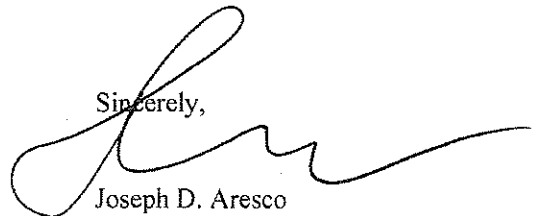
---

Description: Flagpole and sign lights

The following is our cost to furnish and install new flagpole and sign lights per owner's request. I have also attached cut sheets of proposed lights.

Subcontractor	\$4,208
GC	\$ 421
Bond	\$ 69
Total	\$4,698

Sincerely,



Joseph D. Aresco  
President



175 Main Street  
 Rockfall, CT 06481  
 860 343 0467 Telephone  
 860 343 1572 Fax  
 electricworksincl.biz

# PROPOSAL FOR CHANGE ORDER

PROJECT AUTHORIZATION # 001

We are a Certified Small Business Enterprise for the State of Connecticut Small Contractors Set-Aside Program.

TO:
MA+M
Middletown ct

PHONE	DATE
860-346-6621	3-Dec-14
JOB NAME / LOCATION	
Flag pole light	
Sign light	

We hereby agree to make the change(s) specified below:

Install wiring for a flag pole light. 1 fixturer. Furnish and install light fixtuere.  
 program operation of the light through the lighting control panel.

Wire, and materials \$350  
 Light fixturer LED. \$900

Labor 2 men 6hr At \$89 per hr. = \$1068  
 \$2,318  
 + 10% =\$2550

Furnish and Install 2 sign lights light  
 wiring back to the control panel.

wiring and materials \$350  
 2 light at \$270 each \$540  
 Labor 2 men 6 hr each, at \$89/ hr =\$1068  
 \$1,958.00

FALSE

TOTAL = 4,208


NOTE: This Change Order becomes part of and in conformance with the existing contract.

WE AGREE hereby to make the change(s) specified above at this price:			00
DATE	PREVIOUS CONTRACT AMOUNT:		
AUTHORIZED SIGNATURE (CONTRACTOR)	REVISED CONTRACT TOTAL:		

ACCEPTED -- The above prices and specifications of this Change Order are satisfactory and are hereby accepted. All work to be performed under same terms and conditions as specified in original contract unless otherwise stipulated.

Date of acceptance: \_\_\_\_\_  
 Official signature: \_\_\_\_\_

Slw

LED ALF FLOOD FAMILY	Cat.#		
	Job	Type	
			Approvals

**SPECIFICATIONS**

**Intended Use:**

ALF is excellent for small floodlighting applications such as signs, façade, landscape accent or small area illumination. The compact, low profile size allows the flood to be easily hidden or blend into the landscape environment.

**Construction:**

• Low copper extruded aluminum construction provides long life in outdoor ground mounted applications. Ribbed design adds styling while dissipating LED and driver heat, providing longer component life.

• Tempered and impact resistant glass lens with decorative silk screen seals to housing with silicone gasket

• Dark Bronze powder paint finish provides durable and lasting appearance

**Optics/Electrical**

**LED:**

• Six or twelve 1.5w LEDs produce 510 or 1000 lumens at 5100K

• Wide 110 degree lateral spread covers three times the set back distance with uniform light

• Universal voltage driver is 120-277V, 50/60hz, with 10.7 input watts (ALF-6LU) 22.7 input watts (ALF-12LU)

\*In Canada, ALF should be used for voltages 120-240 only

**Installation:**

• Knuckle mount: Universal 1/2" swivel knuckle has serrated teeth for sure aiming. Knuckle threads are brass insuring quality installation and corrosion resistance

• Wall mount: Cast aluminum cover/quick mount plate and universal adapter allows easy installation to 3-1/2" or 4" standard junction boxes

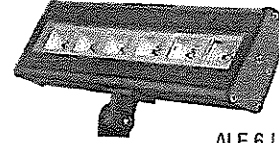
**Listings:**

Listed to UL 1598 for use in wet locations

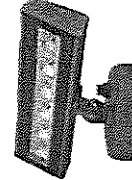
**Warranty:**

Five year limited warranty (for more information visit: <http://www.hubbelloutdoor.com/resources/warranty/>)

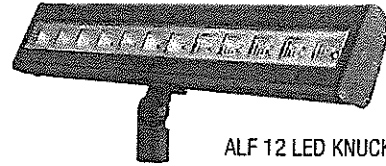
**PRODUCT IMAGE(S)**



ALF 6 LED KNUCKLE MOUNT

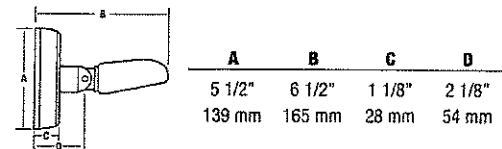
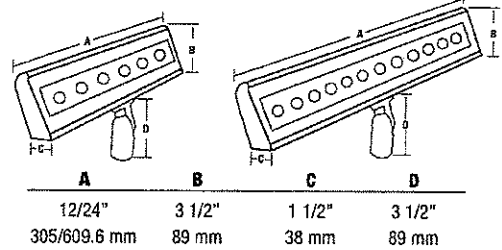


ALFW 6 LED WALL MOUNT



ALF 12 LED KNUCKLE MOUNT

**DIMENSIONS**



**CERTIFICATIONS/ LISTINGS**



**SHIPPING INFORMATION**

Catalog Number	G.W.(kg)/ CTY	Carton Dimensions			Carton Qty. per Master Pack
		Length Inch (cm)	Width Inch (cm)	Height Inch (cm)	
ALF-6LU	9.7 (4.4)	18.5 (47)	14.3 (36.5)	5.7 (14.5)	2
ALFW-6LU	11.4 (5.2)	18.5 (47)	14.3 (36.5)	5.7 (14.5)	2
ALF-12LU	8.5 (2.97)	24.8 (63)	8.3 (22.5)	3.14 (8)	1

**ORDERING INFORMATION**

ORDERING EXAMPLE: ALF-6LU-5K-BZ

Catalog Number	Wattage	Number of LEDs	Voltage <sup>1</sup>	Lumens	Life	CCT	Weight lbs. (kg)
<b>1/2" KNUCKLE MOUNT</b>							
ALF-6LU-5K-BZ	10.7	6	120-277V	510	50,000 hrs	5100K	4.0 (1.8)
ALF-12LU-5K-BZ	22	12	120-277V	1000	50,000 hrs	5100K	8.0 (3.6)
<b>WALLMOUNT</b>							
ALFW-6LU-5K-BZ	10.7	6	120-277V	510	50,000 hrs	5100K	4.5 (2.0)
ALFW-6LU-5K-BZ-PC	10.7	6	120V	510	50,000 hrs	5100K	4.5 (2.0)

<sup>1</sup> Unit should not be used above 240V in Canada



Hubbell Outdoor Lighting • 701 Millennium Boulevard • Greenville, SC 29607 • Phone: 864-678-1000

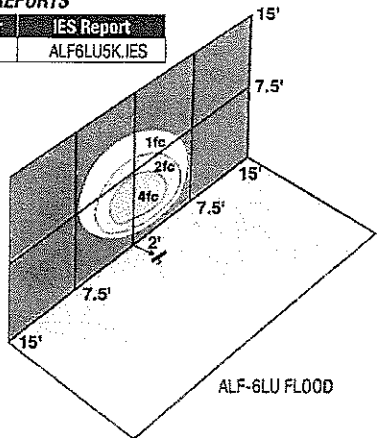
Due to our continued efforts to improve our products, product specifications are subject to change without notice.

© 2014 HUBBELL OUTDOOR LIGHTING, All Rights Reserved • For more information visit our website: [www.hubbelloutdoor.com](http://www.hubbelloutdoor.com) • Printed in USA

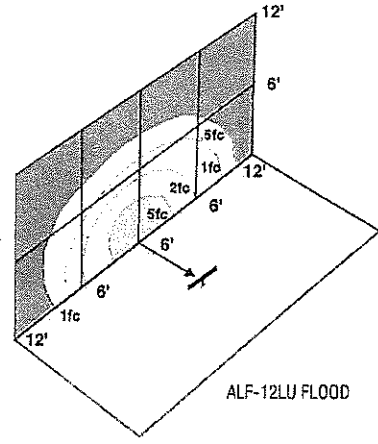
ALF-SPEC 12/14

**PHOTOMETRIC REPORTS**

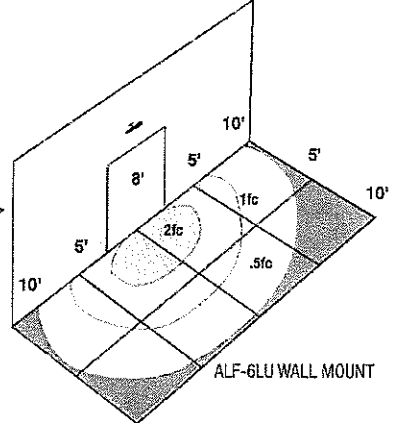
Catalog Number	IES Report
ALF-6LU-5K-BZ	ALF6LUSK.IES



ALF-6LU FLOOD



ALF-12LU FLOOD



ALF-6LU WALL MOUNT

**PERFORMANCE DATA**

# OF LEDS	DRIVE CURRENT	CCT	LUMENS	BEAM (H X V)	LPW <sup>1</sup>
6	STD. (470mA)	5K	510	119" X 93"	85
12	STD. (470mA)	5K	1000	119" X 93"	82

Lumen values are from photometric tests performed in accordance with IESNA LM-79-08. Data is considered to be representative of the configurations shown. Actual performance may differ as a result of end-user environment and application.

**ELECTRICAL DATA**

# OF LEDS	DRIVE CURRENT (mA)	INPUT VOLTAGE (V)	SYSTEM POWER (w)	CURRENT (Amps)	IN RUSH CURRENT	POWER FACTOR
6	STD. (470mA)	120	10.7	.10		.97
		277	12.6	.06		.77
12	STD. (470mA)	120	22.7	.20		.98
		277	26.9	.12		.97




Hubbell Outdoor Lighting • 701 Millennium Boulevard • Greenville, SC 29607 • Phone: 864-678-1000

Due to our continued efforts to improve our products, product specifications are subject to change without notice.

© 2014 HUBBELL OUTDOOR LIGHTING. All Rights Reserved • For more information visit our website: [www.hubbelloutdoor.com](http://www.hubbelloutdoor.com) • Printed in USA

ALF-SPEC 12/14

FLAGPOLE

ARF3 LED DECORATIVE FLOOD	Cat.#	Type	
	Job		

**SPECIFICATIONS**

**Intended Use:**

Large LED flood with a variety of NEMA distributions for lighting applications such as safety/security, accent, flag pole, columns, facade, area, or signs; operating temperature of -35°C to 40°C

**Construction:**

- Rugged die-cast aluminum housing with seven finish choices
- Tempered glass lens protects LEDs and allows for easy cleaning/debris removal
- Vented housing isolates LED module from driver, maximizing product life and performance
- Visor accessory available

**LED:**

- 42 high powered LEDs deliver up to 9,535 lumens
- 3000K 80 CRI, 4200K 70 CRI, 5100K CCT 67 CRI

**Optical/Electrical**

- Variety of NEMA distributions - N (3x3), M (4x4), RM (5x5) and W (6x6) - for wide range of lighting application
- 120-277V operation, 50/60Hz  
97w, 700mA, up to 98 LPW

- IP65 fixture, driver RoHS compliant and IP66
- 0-10V dimming driver
- 10KA surge protector (over current device) option available

**Installation:**

- Knuckle mount 15° aiming angle increments for precise aiming and control, fits 2-3/8" tenons or pipes
- Heavy duty steel yoke with adjustable stainless steel hardware, mounting holes for one center - 3/4" bolt or two side - 3/8" bolts
- 3' SE00W cord with yoke mount

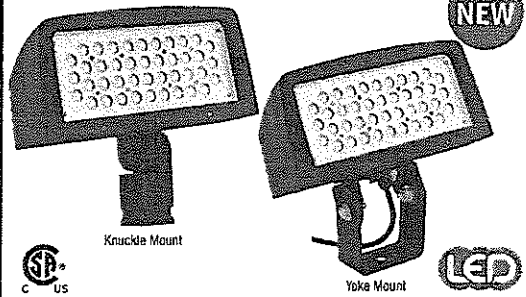
**Listings:**

- IP65, Listed to UL1598 for use in wet locations
- DLC Qualified (4200K and 5100K models only); Consult DLC website for more details: <http://www.designlights.org/QPL>

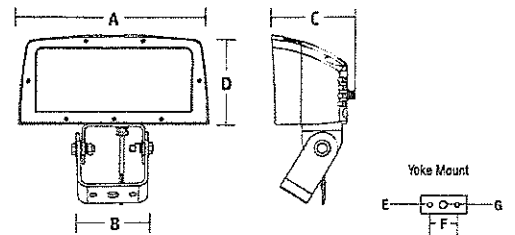
**Warranty:**

For more information visit: <http://www.hubbelloutdoor.com/resources/warranty/>

**PRODUCT IMAGE(S)**



**DIMENSIONS**



A	B	C	D	Weight	E	F	G
14.9"	5.5"	6.0"	7.0	20.6 lbs.	17/32"	7/8"	3-1/8"
378 mm	140 mm	152 mm	177mm	9.3 kg	14mm	22mm	79mm

**CERTIFICATIONS/LISTINGS**



**SHIPPING INFORMATION**

Catalog Number	G.W(kg)/CTN	Carton Dimensions		
		Length Inch (cm)	Width Inch (cm)	Height Inch (cm)
ARF3 (Single carton 1 pc.)	25 (12.3)	17.72"	13.0"	9.45"

Carton dimensions for shipping purposes only

**ORDERING INFORMATION**

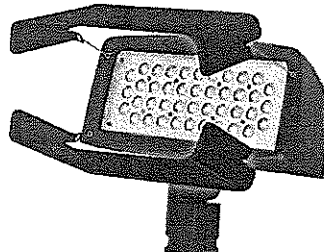
ARF3	-	-	-	-	-	-	-	-	-
FAMILY	MOUNTING	# LEDES	LED COLOR	DRIVE CURRENT	BEAM	VOLTAGE	FINISH	CONTROL OPTIONS	OPTIONS
ARF3 Arceos Flood Large	Y Yoke K Knuckle	42L 42 LEDs	3K <sup>1</sup> 3000K 4K 4200K 5K 5100K	070 700mA	N 3x3 M 4x4 RM 5x5 W 6x6	U 120-277V 1 120V 2 208V 3 240V 4 277V	DB Bronze BL Black WH White GR Gray PS Platinum FG Forest Green RD Red CC <sup>3</sup> Custom Color	PC <sup>2</sup> Photocontrol (determined by voltage field)	F <sup>2</sup> Fusing 120 or 277V only (voltage determined by voltage field) SP Surge Protector 10KA Surge Protector

1 DLC qualification 4K and 5K models only  
2 Must specify voltage for PC and Fusing options  
3 Custom colors available, contact factory

**ACCESSORIES/REPLACEMENT PARTS - Order Separately**

Catalog Number	Description
FLL-VISOR-XX <sup>1</sup>	Top/Bottom visor (Tap holes in lens frame for field installation)
FLL-LENS	Replacement glass with gasket and hardware for ARF3 and ARF4
93053187	96w, 120-277V Dimming driver, 700mA (1 Qty)

<sup>1</sup> Specify finish color to match fixture; e.g. DB - Dark Bronze



Spaulding Lighting • 701 Millennium Boulevard • Greenville, SC 29607 • Phone: 864-678-1000  
Due to our continued efforts to improve our products, product specifications are subject to change without notice.  
© 2014 SPAULDING LIGHTING, All Rights Reserved • For more information visit our website: [www.spauldinglighting.com](http://www.spauldinglighting.com) • Printed in USA ARF4-SPEC 6/14



**PERFORMANCE DATA**

# OF LEDS	DRIVE CURRENT	SYSTEM WATTS	DIST. TYPE	NEMA	FIELD ANGLE H X V	5K (5100K nominal, 67 CRI)			4K (4200K nominal, 70 CRI)			3K (3000K nominal, 80 CRI)		
						LUMENS	LPW <sup>1</sup>	MAX BEAM CANDLEPOWER	LUMENS	LPW <sup>1</sup>	MAX BEAM CANDLEPOWER	LUMENS	LPW <sup>1</sup>	MAX BEAM CANDLEPOWER
42	700mA	97W	N	3 x 3	32° x 32°	9097	94	77118	8597	90	71429	6261	65	52908
			M	4 x 4	53° x 53°	9535	96	39358	8640	90	28207	6399	67	22018
			RM	5 x 5	84° x 86°	8192	84	14179	7424	77	12366	5602	58	9524
			W	6 x 6	107° x 107°	9132	94	6743	8441	88	6105	6378	66	4601

Lumen values are from photometric tests performed in accordance with IESNA LM-79-08. Data is considered to be representative of the configurations shown. Actual performance may differ as a result of end-user environment and application.

**PROJECTED LUMEN MAINTENANCE**

AMBIENT TEMP	OPERATING HOURS					Calculated L70 (HOURS)
	0	25,000	50,000	TM-21-11 60,000	100,000	
25°C / 77°F	1.00	0.98	0.96	0.96	0.94	>625,000
40°C / 104°F	1.00	0.96	0.94	0.93	0.90	>435,000

**LUMINAIRE AMBIENT TEMPERATURE FACTOR (LATF)**

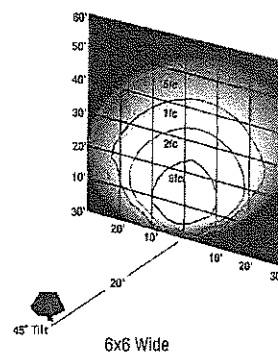
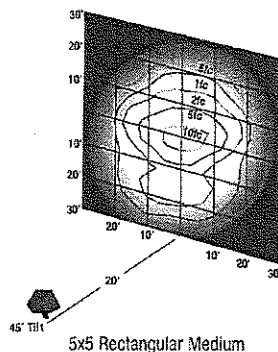
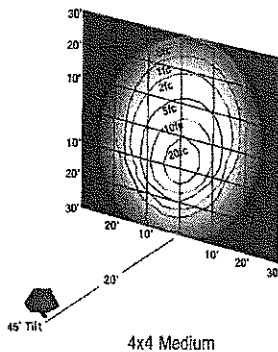
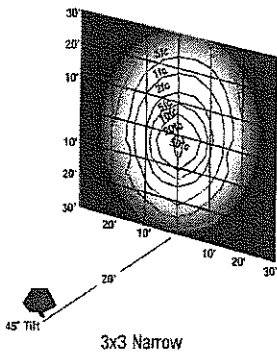
AMBIENT TEMPERATURE	LUMEN MULTIPLIER	
0°C	32°F	1.02
10°C	50°F	1.01
20°C	68°F	1.00
25°C	77°F	1.00
30°C	86°F	1.00
40°C	104°F	0.99

Use these factors to determine relative lumen output for average ambient temperatures from 0-40°C (32-104°F).

**ELECTRICAL DATA**

# OF LEDS	NUMBER OF DRIVERS	DRIVE CURRENT (mA)	INPUT VOLTAGE (V)	CURRENT (Amps)	SYSTEM POWER (W)
42	1	700mA	120	.80	97
			277	.35	97

**PHOTOMETRICS** For additional photometric information and IES downloads, visit our web site at [www.spauldinglighting.com](http://www.spauldinglighting.com)



Spaulding Lighting • 701 Millennium Boulevard • Greenville, SC 29607 • Phone: 864-678-1000  
 Due to our continued efforts to improve our products, product specifications are subject to change without notice.  
 © 2014 SPALDING LIGHTING, All Rights Reserved • For more information visit our website: [www.spauldinglighting.com](http://www.spauldinglighting.com) • Printed in USA ARF4-SPEC 6/14

